

**MICRO SWITCH**  
a Honeywell Division

FED. MFG. CODE 91929

SWITCH-BASIC

CATALOG LISTING

V7-3E17E9-022

CW-B8416

CATALOG LISTING

V7-3E17E9-022

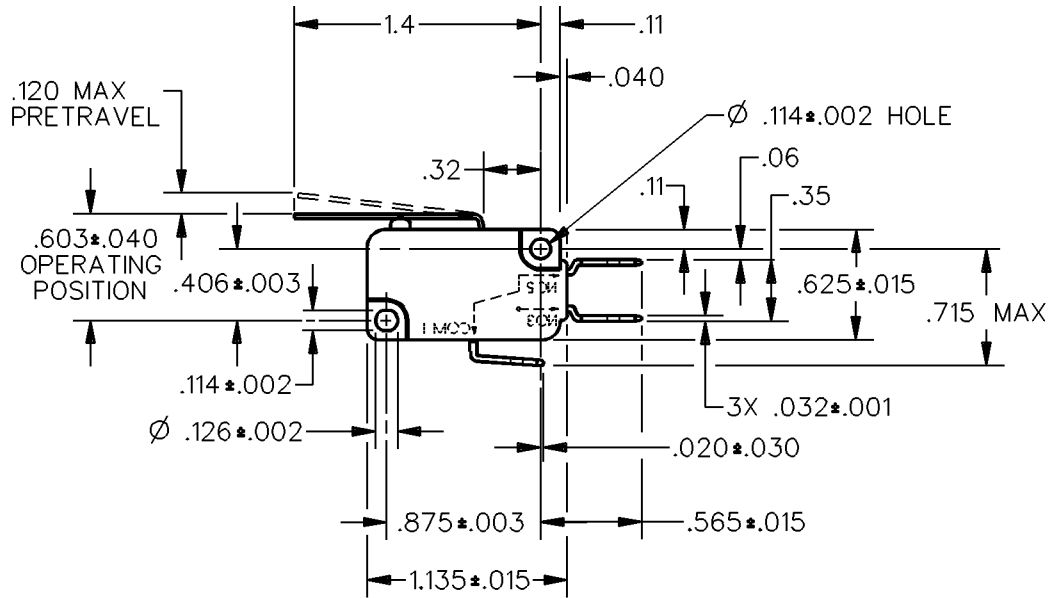
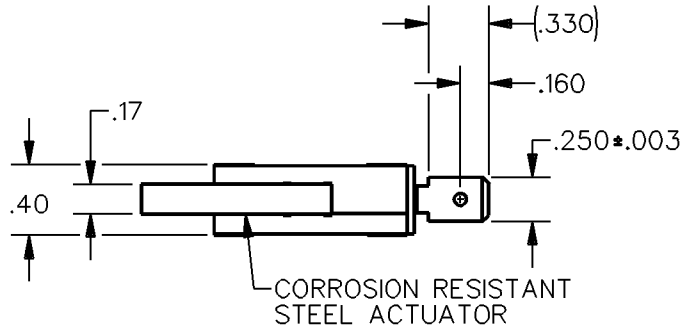
REPLACES

RELEASE NO. PR-19388

CHECK

ISSUE

4



REVISIONS	
A	CO-74476 DCS 28 APR 93
B	CO-75471 J.A.L. 6 OCT 93

CHECK

16 JUL 91

CHECK

LAD

J A L 16 JUL 91

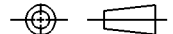
DRAWN


DDM/CAD

ANSI Y14.5M-1982 APPLIES

THIS DRAWING COVERS A PROPRIETARY ITEM AND IS THE PROPERTY OF MICRO SWITCH, A DIVISION OF HONEYWELL. THIS DRAWING IS NOT TO BE COPIED OR USED WITHOUT THE APPROVAL OF MICRO SWITCH.

THIRD ANGLE PROJECTION



CHARACTERISTICS	ELECTRICAL DATA CONTACT ARRANGEMENT S P D T	SCALE FULL	DO NOT SCALE PRINT
		<p><b>UNLESS OTHERWISE SPECIFIED TOLERANCES ARE</b></p> <p>ONE PLACE (.0) ±.030</p> <p>TWO PLACE (.00) ±.015</p> <p>THREE PLACE (.000) ±.005</p> <p>ANGLES ±</p> <p>WEIGHT</p>	
OPERATING FORCE — — — 30 GRAMS MAX	<p>L216 10A 1/3HP 125, 250 OR 277 VAC 1/2A 125 VDC 1/4A 250 VDC; 4A 125 VAC "L"</p> 		
RELEASE FORCE — — — 1 GRAM MIN			
DIFFERENTIAL TRAVEL — — — .030 MAX			
OVERTRAVEL — — — .065 MIN			
RELEASE TRAVEL — — — .017 MIN			